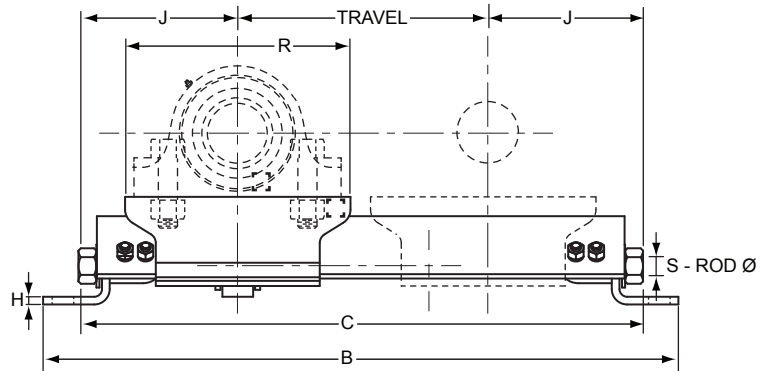
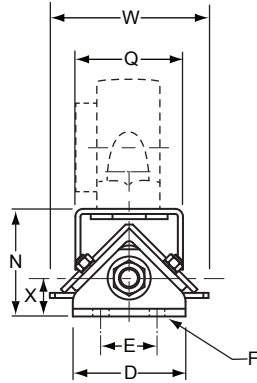


Pillow Block Takeup Frames



Type TFT

- All-steel frame
- Suitable for severe service
- Fully protected Acme thread adjusting screw
- Mounting for customer-preferred pillow blocks



FRAME SIZE	TRAVEL	B	C	D	E	BOLT DIA. F	H	I (5)		J	N	SADDLE DIM.		SCREW DIA. S	X	W	TAKE UP WT.
								MAX.	MIN.			Q	R				
200	12	31	29	5	2 1/2	5/8	3/8	9 1/8	4 11/16	8 1/2	5 1/4	4	11	1	1 7/8	6 7/8	69
200	18	37	35														75
200	24	43	41														80
200	30	49	47														88
200	36	55	53														93
200	48	67	65														106
250	12	35 1/4	32 3/4	6	3	5/8	3/8	10 7/8	5 15/16	10 3/8	6 1/4	5	13 1/4	1	1 1/2	8 1/4	84
250	18	41 1/4	38 3/4														91
250	24	47 1/4	44 3/4														99
250	30	53 1/4	50 3/4														107
250	36	59 1/4	56 3/4														114
250	48	71 1/4	68 3/4														129
300	12	38 1/4	35 1/2	5 3/4	3	3/4	1/2	11 5/8	6 7/16	11 3/4	7	5 1/4	14 1/4	1 1/4	2 1/4	8 1/2	140
300	18	44 1/4	41 1/2														150
300	24	50 1/4	47 1/2														160
300	30	56 1/4	53 1/2														170
300	36	62 1/4	59 1/2														180
300	48	74 1/4	71 1/2														200
350	12	40	37 1/4	5 3/4	3	3/4	1/2	13 3/8	7 1/2	12 5/8	7	6	16	1 1/4	2 1/4	8 1/2	148
350	18	46	43 1/4														158
350	24	52	49 1/4														168
350	30	58	55 1/4														180
350	36	64	61 1/4														190
350	48	76	73 1/4														210
400	12	44	41 1/4	5 3/4	3	3/4	1/2	**	**	14 5/8	7	7 1/4	20	1 1/4	2 1/4	8 1/2	179
400	18	50	47 1/4														189
400	24	56	53 1/4														199
400	30	62	59 1/4														209
400	36	68	65 1/4														219
400	48	80	77 1/4														239
500	12	49 1/2	47	7	4	7/8	1/2	**	**	17 1/2	7 3/4	8 1/2	23 1/2	1 1/2	2 7/16	10 1/2	253
500	18	55 1/2	53														266
500	24	61 1/2	59														278
500	30	67 1/2	65														291
500	36	73 1/2	71														304
500	48	85 1/2	83														330

- NOTES:
- 1) Dimensions subject to change. Certified dimensions of ordered material furnished on request.
 - 2) 200 through 350 frames will accommodate pillow blocks on saddles which are slotted for two-bolt blocks.
 - 3) When using four-bolt blocks or on frames 400 and larger, please specify:
 - Bore size of pillow block
 - Whether block is two- or four- bolt style
 - Type of block (customer's preference)
 - Frame travel
 - 4) Sizes not listed will be priced on applications.
 - 5) Slots for bearing bolts will be supplied at maximum range for specified bearing.

** Drilled to order

Jones Bearing Company

P.O. Box 274 Highway 72 East • Pelham, Alabama 35124 • USA

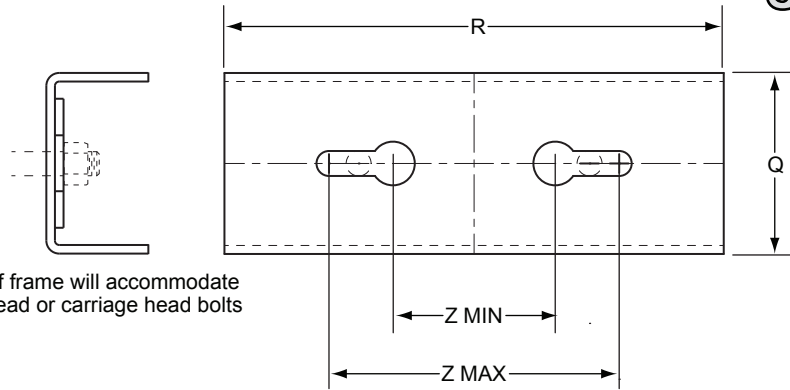
Phone: 205-663-3002 • Fax: 205-664-3351

Pillow Block Takeup Frames

Type TFT

- Using TFT Frames with bearings other than those listed on previous page.
- Frame sizes 200 - 350 supplied with slotted mounting unless special ordered.

Top of frame will accommodate hex head or carriage head bolts



FRAME SIZE	BEARING MOUNT		HOLD DOWN BOLTS		(Z) BOLT CENTERS	
	Q	R	DIAMETER	GRIP	MIN	MAX
TFT200	4	11	5/8	3/8	5 ¹⁵ / ₁₆	9 ⁷ / ₁₆
TFT250	5	13	3/4	3/8	7 ⁵ / ₈	10 ⁷ / ₈
TFT300	5 ¹ / ₄	14	3/4	3/8	9 ¹ / ₄	11 ⁵ / ₈
TFT350	6	17	7/8	3/8	10 ³ / ₄	13 ¹ / ₁₆

NOTE: Sizes 400 and larger are drilled to order.

FRAME SIZE FOR SPECIFIC PILLOW BLOCKS

PILLOW BLOCK BORE (IN.)	JA	JE		PB1000		SAF	
	2 BOLT	2 BOLT	4 BOLT *	2 BOLT	4 BOLT *	2 BOLT	4 BOLT *
1 ⁷ / ₁₆	—	TFT200	—	—	—	—	—
1 ¹ / ₂	—	TFT200	—	—	—	—	—
1 ¹¹ / ₁₆	—	TFT200	—	TFT300	—	—	—
1 ³ / ₄	—	TFT200	—	TFT300	—	—	—
1 ¹⁵ / ₁₆	TFT200	TFT200	—	TFT300	—	TFT200	—
2	TFT200	TFT200	—	TFT300	—	TFT200	—
2 ³ / ₁₆	TFT200	TFT200	—	TFT300	—	TFT200	—
2 ⁷ / ₁₆	TFT200	TFT200	TFT200	TFT300	TFT300	TFT250	TFT250
2 ¹ / ₂	TFT200	TFT200	TFT200	TFT300	TFT300	TFT250	TFT250
2 ¹¹ / ₁₆	TFT250	TFT250	TFT250	—	TFT350	TFT250	TFT250
2 ³ / ₄	TFT250	TFT250	TFT250	—	TFT350	TFT250	TFT250
2 ¹⁵ / ₁₆	TFT250	TFT250	TFT250	—	TFT350	TFT250	TFT250
3	TFT250	TFT250	TFT250	—	TFT350	TFT250	TFT250
3 ⁷ / ₁₆	TFT350	TFT350	TFT350	—	TFT400	TFT350	TFT350
3 ¹ / ₂	TFT350	TFT350	TFT350	—	TFT400	TFT350	TFT350
3 ¹¹ / ₁₆	TFT400	TFT400	TFT400	—	TFT500	—	TFT400
3 ¹⁵ / ₁₆	TFT400	TFT400	TFT400	—	TFT500	—	TFT400
4	TFT400	TFT400	TFT400	—	TFT500	—	TFT400
4 ⁷ / ₁₆	—	—	TFT400	—	**	—	TFT400
4 ¹ / ₂	—	—	TFT400	—	**	—	TFT400
4 ¹⁵ / ₁₆	—	—	TFT400	—	**	—	TFT500
5	—	—	—	—	**	—	TFT500

** Saddle must be drilled for 4 bolt pillow block

Jones Bearing Company

P.O. Box 274 Highway 72 East • Pelham, Alabama 35124 • USA

Phone: 205-663-3002 • Fax: 205-664-3351