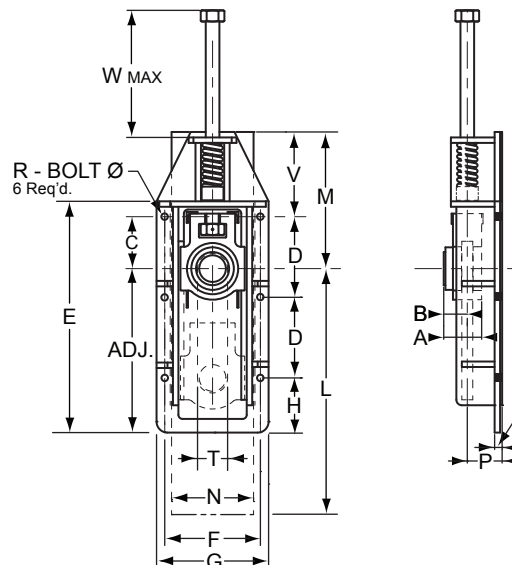


Compensating Foot Takeups Type CU

Jones

- Self-aligning HD roller bearing
- Sleeve bearing available
- Spring loaded
- Welded steel frame

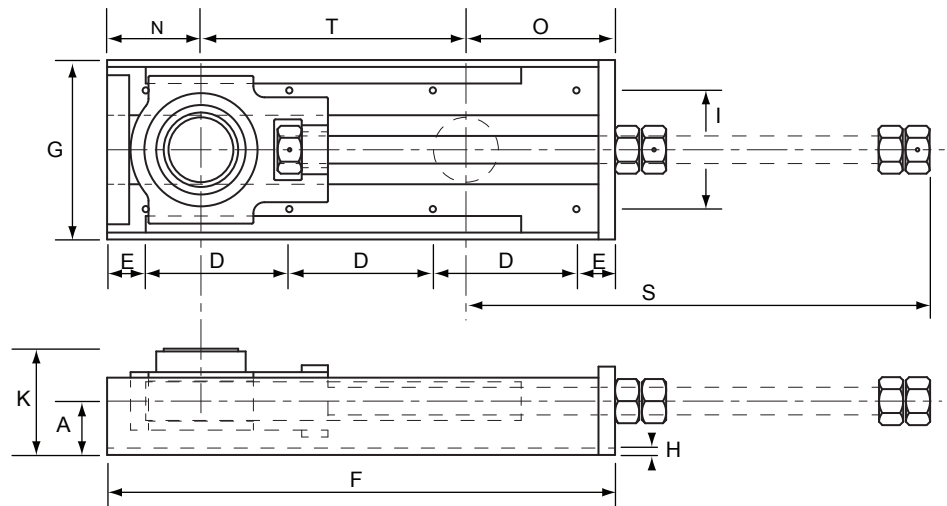


SHAFT DIA.	ASSEMBLY NUMBER	ADJ.	A	B	C	D	E	F	G	H	L	M	N	P	Q	R	T	V	W	WT. (Lb.)
1 ⁷ / ₁₆	CU107	6 ¹ / ₈	2 ⁷ / ₈	1 ⁷ / ₈	2 ⁷ / ₈	4 ¹ / ₂	11 ⁵ / ₁₆	6 ¹ / ₂	7 ³ / ₄	1 ³ / ₄	13 ³ / ₄	7 ⁵ / ₈	5 ³ / ₈	2 ⁵ / ₈	7 ¹ / ₁₆	3 ³ / ₈	1 ³ / ₄	4 ⁷ / ₈	6 ⁷ / ₈	28
1 ¹⁵ / ₁₆	CU115	8	3 ¹ / ₈	1 ²⁹ / ₃₂	3 ¹ / ₂	5 ³ / ₄	14 ³ / ₈	7 ¹ / ₄	8 ⁷ / ₈	2 ¹ / ₄	18 ¹ / ₄	10 ¹ / ₄	6 ¹ / ₄	2 ¹³ / ₁₆	7 ¹ / ₁₆	1 ¹ / ₂	2 ¹ / ₄	6 ¹ / ₄	9 ¹ / ₈	45
2 ⁷ / ₁₆	CU207	10	3 ¹ / ₂	2 ⁹ / ₁₆	4 ³ / ₄	7 ³ / ₈	18 ³ / ₈	8 ³ / ₄	10 ¹ / ₄	2 ¹ / ₂	22 ¹ / ₂	12 ¹ / ₂	7 ⁵ / ₈	3 ³ / ₁₆	5 ⁸ / ₁₆	1 ¹ / ₂	2 ³ / ₄	7 ¹ / ₄	11 ⁵ / ₈	67
2 ¹⁵ / ₁₆	CU215	12	4	2 ⁷ / ₁₆	5 ⁵ / ₈	9	22 ³ / ₄	10 ¹ / ₈	11 ⁷ / ₈	3 ¹ / ₈	27 ¹ / ₂	15 ¹ / ₂	8 ¹ / ₂	3 ⁵ / ₈	5 ⁸ / ₁₆	5 ⁸ / ₁₆	3 ¹ / ₄	9 ⁷ / ₈	13 ¹ / ₄	111

- NOTES: 1) All bearings fitted with 1/8" Alemite button head fittings.
2) For takeup blocks, see page 5.

Normal Duty Takeup Assembly JAT-2000

- Self-aligning roller bearing
- Welded steel frame
- Economical design



SHAFT DIA.	COMPLETE ASSY. NUMBER	FRAME ASSY. ONLY	A	D	E	F	G	H	I	K	TRAVEL T	N	O	S	BOLTS REQ.		TAKEUP WT.
															NO.	SIZE	
1 ⁷ / ₁₆	JAT4-2107-9	JAT4-9	1 ⁷ / ₈	6 ⁷ / ₁₆	1 ¹ / ₂	15 ⁷ / ₈	5 ³ / ₁₆	3 ¹ / ₁₆	3 ⁹ / ₁₆	3 ⁵ / ₈	9	3	3 ⁷ / ₈	15	6	1/2	18.4
1 ¹¹ / ₁₆	JAT5-2111-9	JAT6-9	2	7	1 ¹ / ₂	17	5 ¹³ / ₁₆	1/4	4 ¹ / ₁₆	3 ⁷ / ₈	9	3 ¹ / ₄	4 ³ / ₄	16	6	1/2	26.8
1 ¹⁵ / ₁₆	JAT6-2115-9		2	7	1 ¹ / ₂	17	5 ¹³ / ₁₆	1/4	4 ¹ / ₁₆	3 ⁷ / ₈	9	3 ¹ / ₄	4 ³ / ₄	16	6	1/2	27.1
2 ³ / ₁₆	JAT7-2203-9	JAT7-9	2	7 ¹ / ₂	1 ¹ / ₂	18	6 ⁹ / ₁₆	1/4	4 ¹³ / ₁₆	4	9	3 ⁹ / ₁₆	5 ⁷ / ₁₆	16 ¹⁵ / ₁₆	6	1/2	33.7
2 ⁷ / ₁₆	JAT8-2207-12	JAT8-12	2 ¹ / ₄	6 ¹ / ₁₆	1 ³ / ₄	21 ¹¹ / ₁₆	7 ⁵ / ₁₆	1 ⁵ / ₁₆	5 ¹ / ₁₆	4 ⁷ / ₁₆	12	3 ¹³ / ₁₆	5 ⁷ / ₈	20 ³ / ₄	8	1/2	51.0
2 ¹⁵ / ₁₆	JAT9-2115-12	JAT9-12	2 ⁷ / ₁₆	6 ¹ / ₂	1 ³ / ₄	23	8 ¹ / ₈	5 ¹ / ₁₆	5 ³¹ / ₃₂	4 ⁷ / ₈	12	4 ¹ / ₄	6 ³ / ₄	21 ³ / ₄	8	1/2	75.0

- NOTES: 1) Dimensions subject to change. Certified dimensions of ordered material furnished on request.
2) For takeup blocks, see page 5.

Jones Bearing Company

P.O. Box 274 Highway 72 East • Pelham, Alabama 35124 • USA

Phone: 205-663-3002 • Fax: 205-664-3351